

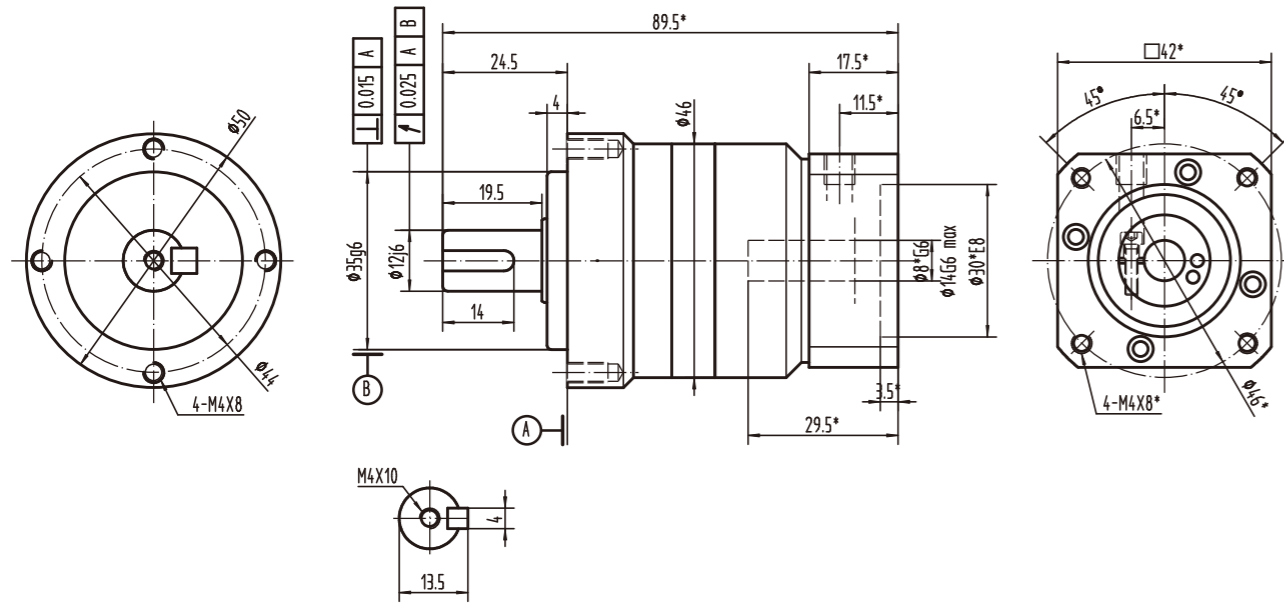
专门为频繁反复和紧急加速而设计，MVE系列可提供高精度、高刚性和高扭矩。
Powerful, robust and precise, this planetary gearbox is designed to work under heavy operating duty.

造型数据:
Selection data:

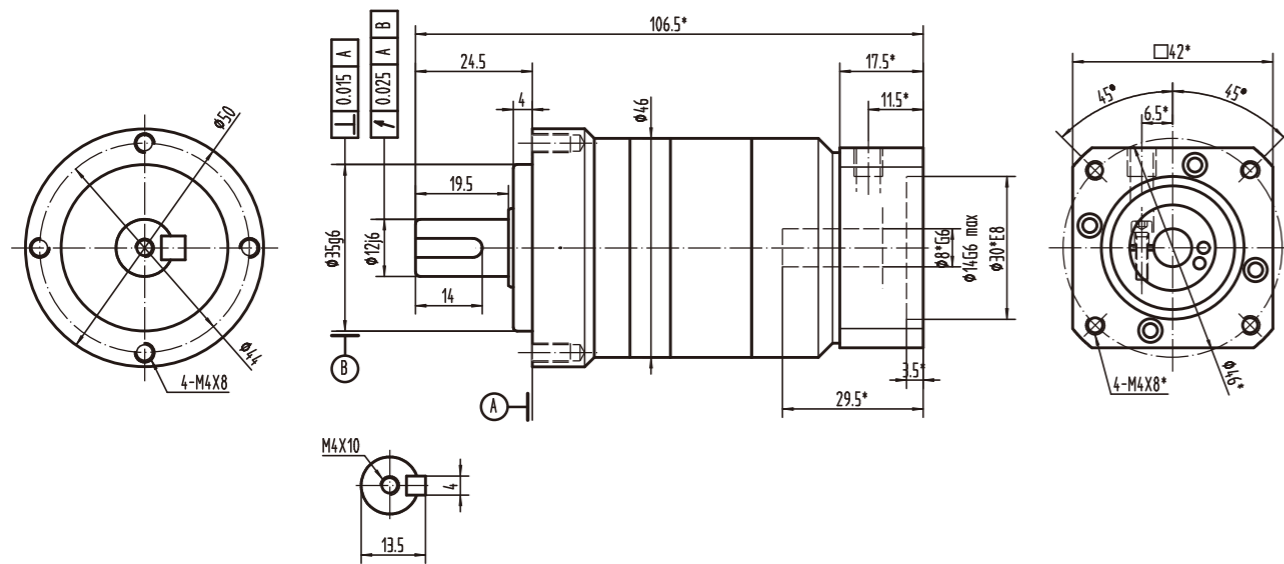
扭矩 (Nm)	14-1900
速比	3-100
背隙 (arcmin)	3-5
最大工作温度 (°C)	90
噪音 (dB)	63-77

Nominal output torque (Nm)	14-1900
Reduction ratio	3-100
Backlash (arcmin)	3-5
Max.working temperature (°C)	90
Noise (dB)	63-77

MVE-040-L1

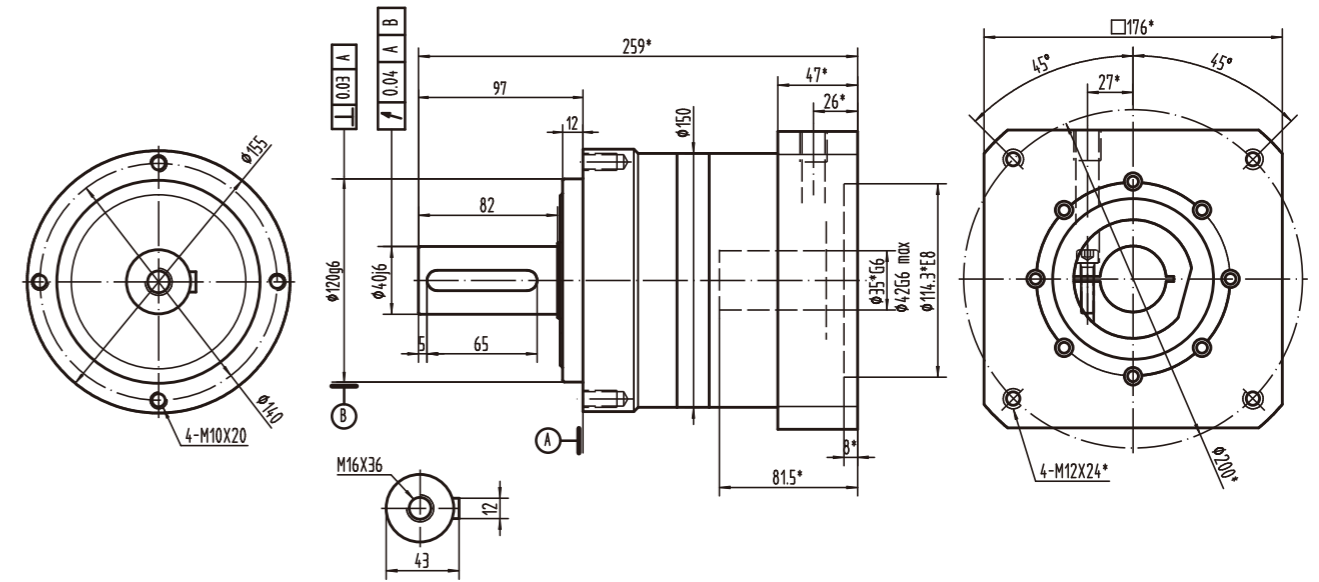


MVE-040-L2

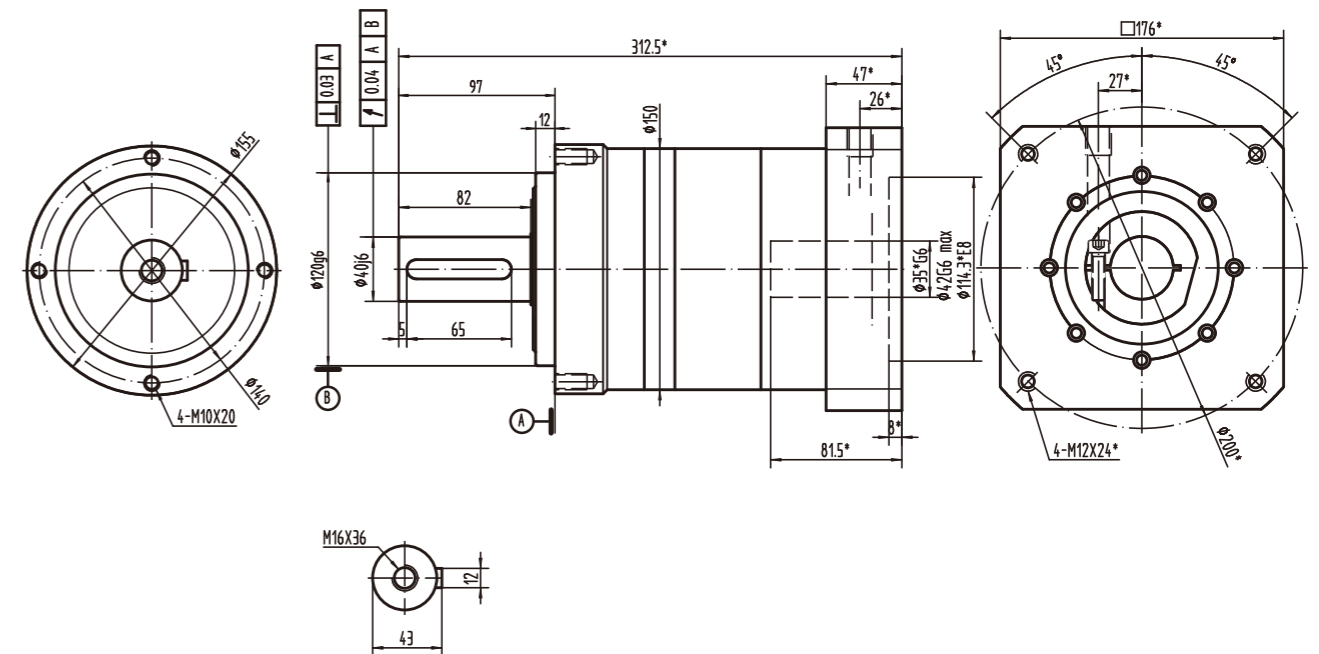


*Dimensions based on servo-motor, please contact us for custom made order.
注有 * 尺寸：代表可根据客户需求定制产品，如有需要，请联系我们！

MVE-155-L1



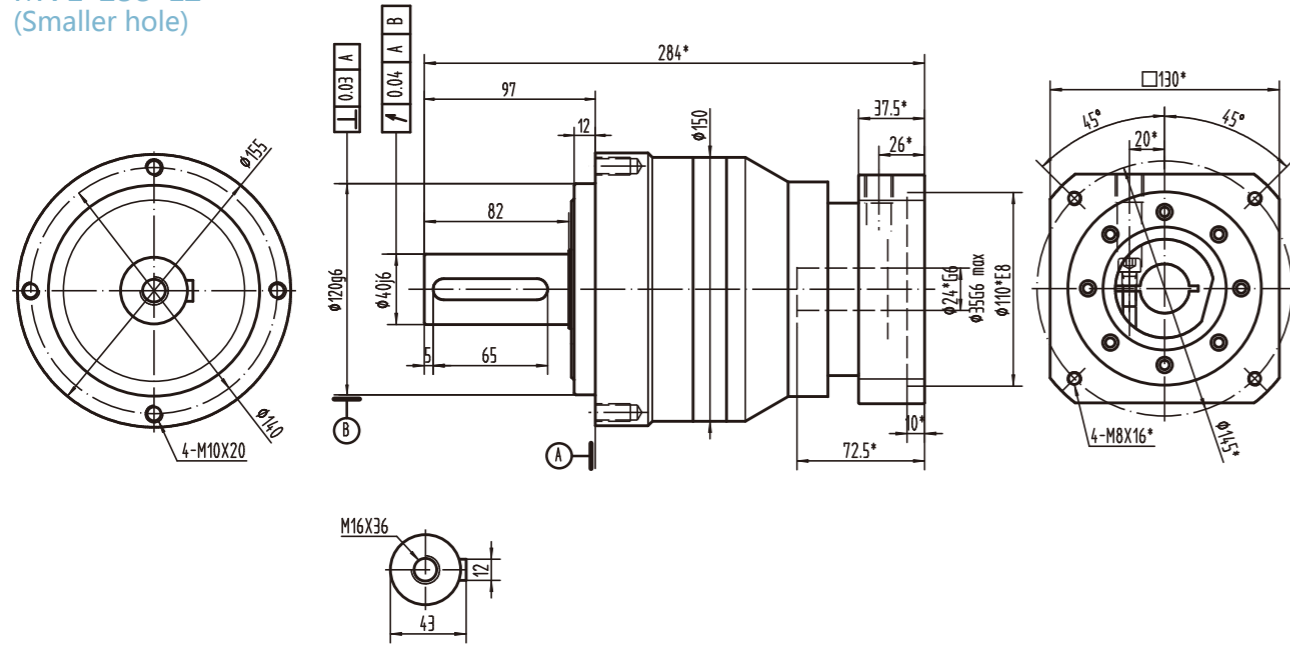
MVE-155-L2



*Dimensions based on servo-motor, please contact us for custom made order.
注有 * 尺寸：代表可根据客户需求定制产品，如有需要，请联系我们！

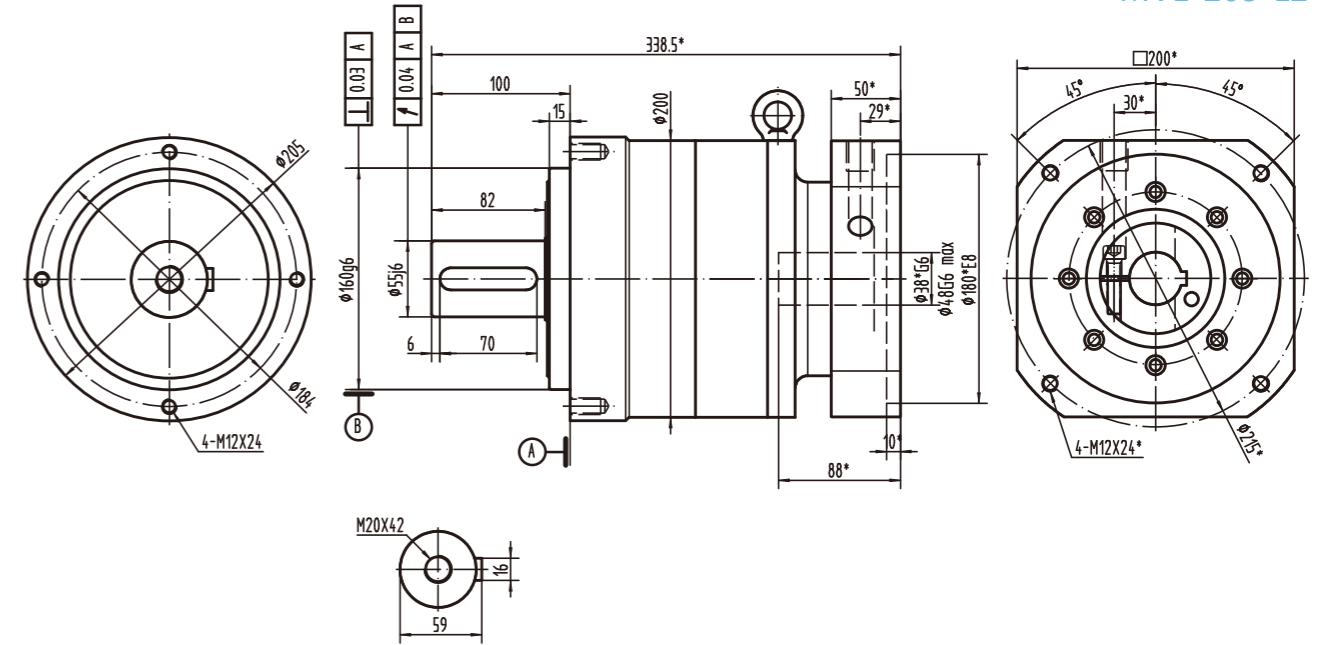
Drawing / Size

MVE-155-L2
(Smaller hole)

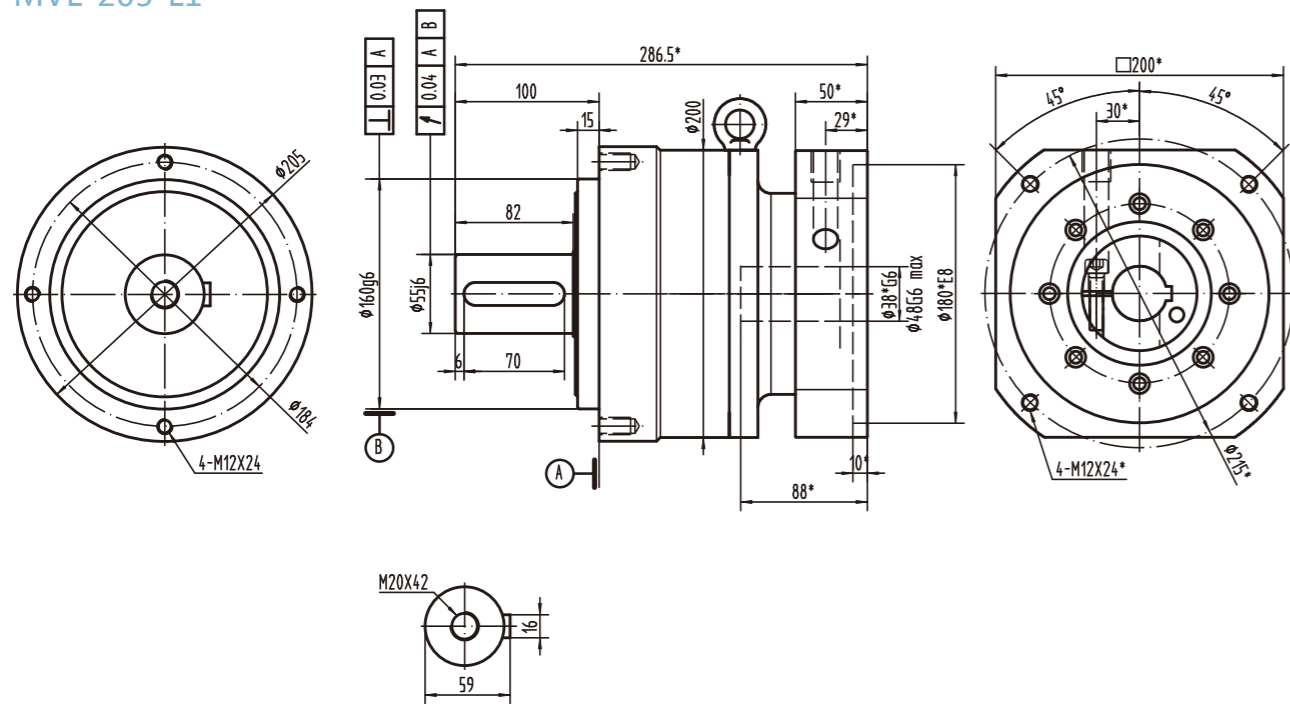


Drawing / Size

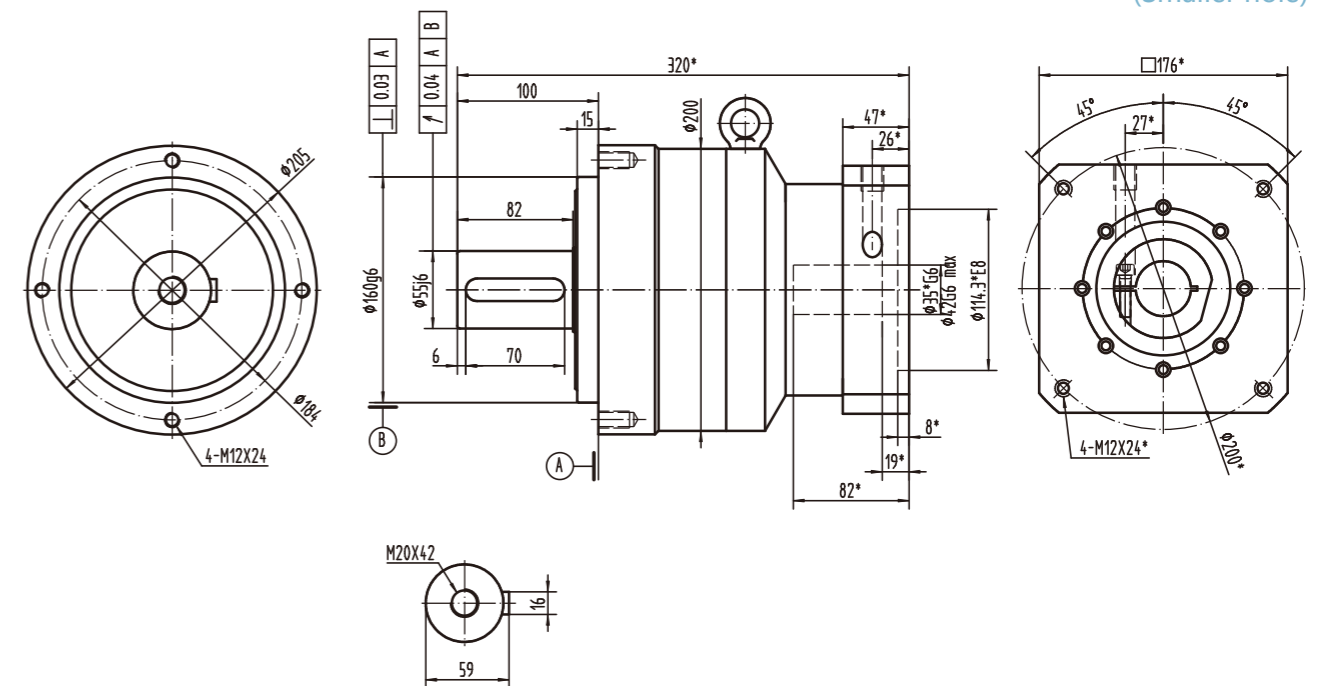
MVE-205-L2



MVE-205-L1



MVE-205-L2
(Smaller hole)

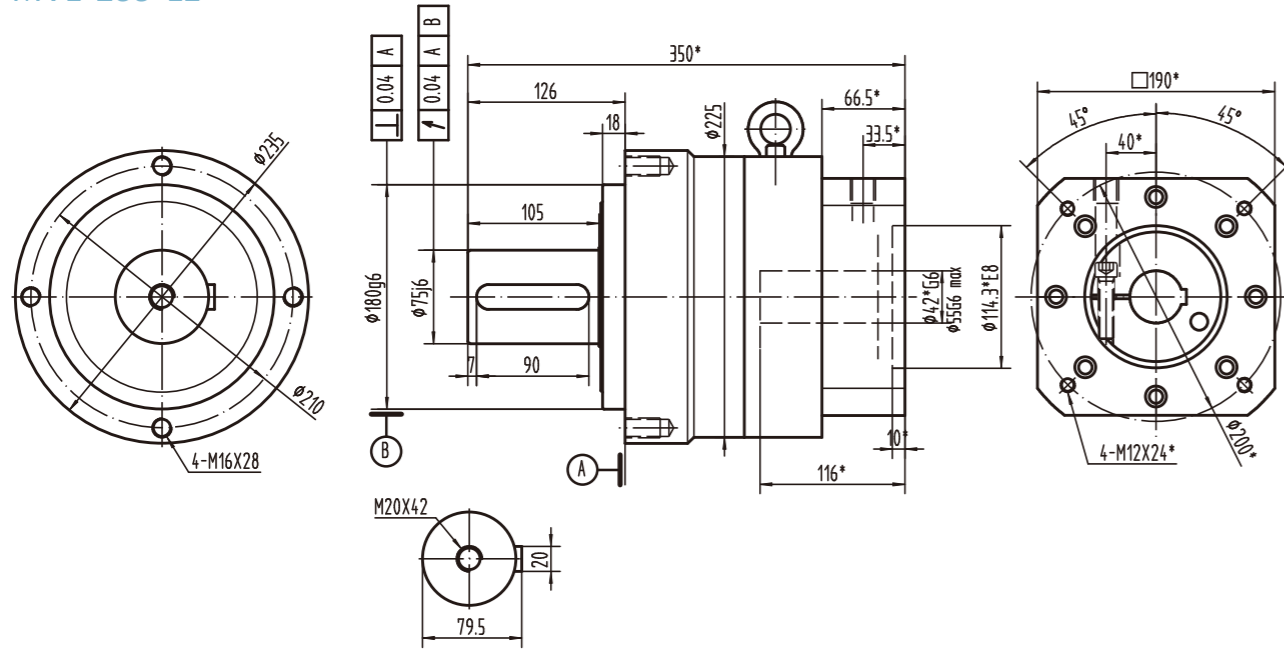


*Dimensions based on servo-motor, please contact us for custom made order.
注有 * 尺寸：代表可根据客户需求定制产品，如有需要，请联系我们！

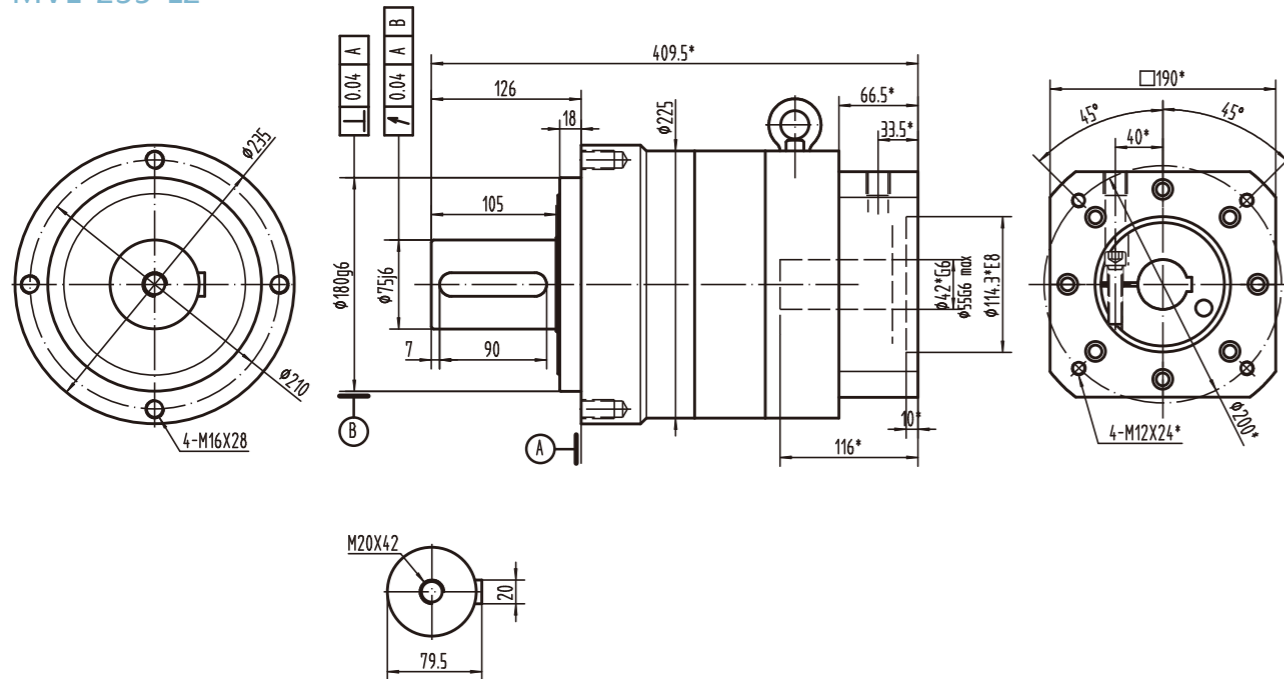
*Dimensions based on servo-motor, please contact us for custom made order.
注有 * 尺寸：代表可根据客户需求定制产品，如有需要，请联系我们！

Drawing / Size

MVE-235-L1



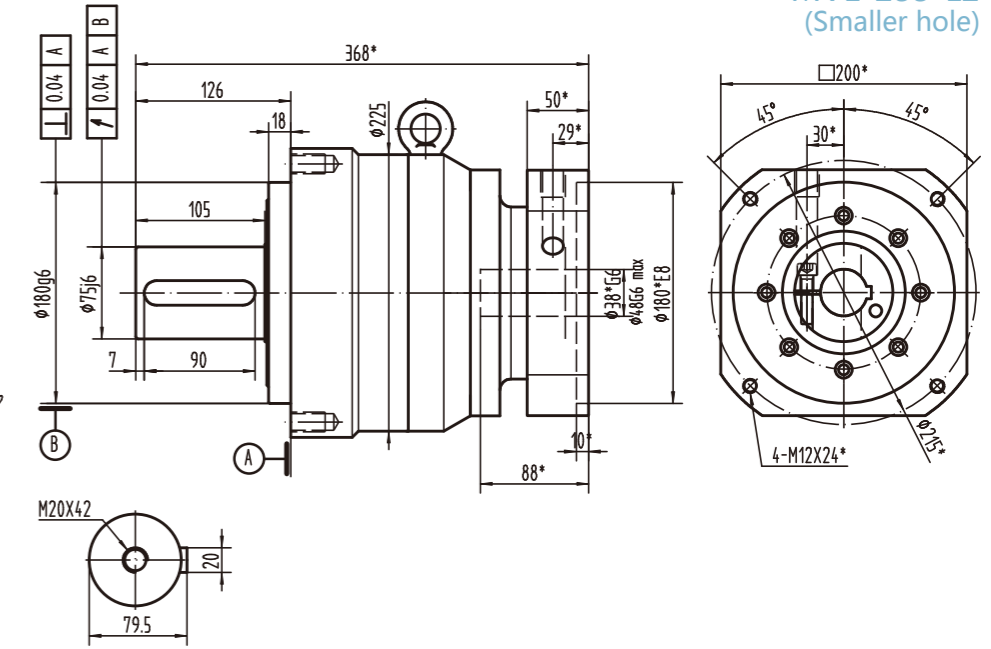
MVE-235-L2



*Dimensions based on servo-motor, please contact us for custom made order.
注有*尺寸：代表可根据客户需求定制产品，如有需要，请联系我们！

Drawing / Size

MVE-235-L2
(Smaller hole)



Performance table

MVE-040																																
Symb.	i	T _{2N}	T _{2Not}	n _{1N}	n _{1Max}	j _t	C _{2t}	F _{2RMax}	F _{2AMax}	J ₁	η	L _h	T	Lub	PC	MP	dB															
Unit		N _m	N _m	rpm	rpm	arcmin	Nm/arcmin	N	N	kgcm ²	%	h	°C																			
I STAGE	3	14	2×T _{2N}	4000	8000	≤3	3	700	610	0.03	≥95	>20000	-15~45	Life Lubrication 终身润滑	IP65	Any 任何方向	≤63															
	4	14					3																									
	5	20					3																									
	6	20					3																									
	7	20					2.2																									
	8	20					3																									
	9	14					3																									
	10	14					2.2																									
	II STAGE	15					14											2×T _{2N}	4000	8000	≤5	3	700	610	0.03	≥90	>20000	-15~45	Life Lubrication 终身润滑	IP65	Any 任何方向	≤63
		20					20															3										
35		20	3																													
40		20	3																													
50		20	3																													
80		20	3																													
100		14	2.2																													

Performance table

MVE-205																																
Symb.	i	T _{2N}	T _{2Not}	n _{1N}	n _{1Max}	j _t	C _{2t}	F _{2RMax}	F _{2AMax}	J ₁	η	L _h	T	Lub	PC	MP	dB															
Unit		N _m	N _m	rpm	rpm	arcmin	Nm/arcmin	N	N	kgcm ²	%	h	°C																			
I STAGE	3	600	2×T _{2N}	2000	4000	≤3	145	14500	13500	28.98	≥95	>20000	-15~45	Life Lubrication 终身润滑	IP65	Any 任何方向	≤75															
	4	1000					145											23.67														
	5	1000					145											23.29														
	6	1000					145											22.29														
	7	1000					145											22.48														
	8	1000					145											22.48														
	9	650					145											22.40														
	10	650					145											22.51														
	II STAGE	15					980											2×T _{2N}	2000	4000	≤5	145	14500	13500	7.3	≥90	>20000	-15~45	Life Lubrication 终身润滑	IP65	Any 任何方向	≤75
		20					1350															145			7.3							
35		1400	145	7.1																												
40		1350	145	6.92																												
50		1400	145	6.92																												
80		1400	145	6.72																												
100		980	145	6.72																												

MVE-155																															
Symb.	i	T _{2N}	T _{2Not}	n _{1N}	n _{1Max}	j _t	C _{2t}	F _{2RMax}	F _{2AMax}	J ₁	η	L _h	T	Lub	PC	MP	dB														
Unit		N _m	N _m	rpm	rpm	arcmin	Nm/arcmin	N	N	kgcm ²	%	h	°C																		
I STAGE	3	350	2×T _{2N}	3000	6000	≤3	50	9000	8300	9.21	≥95	>20000	-15~45	Life Lubrication 终身润滑	IP65	Any 任何方向	≤72														
	4	550					50			7.54																					
	5	600					50			7.42																					
	6	600					50			7.42																					
	7	600					50			7.14																					
	8	550					50			7.14																					
	9	380					50			7.08																					
	10	380					50			7.03																					
	II STAGE	15					460			2×T _{2N}								3000	6000	≤5	50	9000	8300	2.63	≥90	>20000	-15~45	Life Lubrication 终身润滑	IP65	Any 任何方向	≤72
		20					650														50			2.63							
35		700	50	2.43																											
40		700	50	2.43																											
50		700	50	2.39																											
80		700	50	2.39																											
100		460	50	2.39																											

MVE-235																															
Symb.	i	T _{2N}	T _{2Not}	n _{1N}	n _{1Max}	j _t	C _{2t}	F _{2RMax}	F _{2AMax}	J ₁	η	L _h	T	Lub	PC	MP	dB														
Unit		N _m	N _m	rpm	rpm	arcmin	Nm/arcmin	N	N	kgcm ²	%	h	°C																		
I STAGE	3	1100	2×T _{2N}	1500	3000	≤3	225	20500	19000	69.61	≥95	>20000	-15~45	Life Lubrication 终身润滑	IP65	Any 任何方向	≤77														
	4	1600					225			54.37																					
	5	1800					225			53.27																					
	6	1800					225			53.27																					
	7	1800					225			50.97																					
	8	1800					225			50.88																					
	9	1200					225			50.73																					
	10	1200					225			50.56																					
	II STAGE	15					1300			2×T _{2N}								1500	3000	≤5	225	20500	19000	22.79	≥90	>20000	-15~45	Life Lubrication 终身润滑	IP65	Any 任何方向	≤77
		20					1800														225			22.79							
35		1900	225	22.59																											
40		1900	225	21.83																											
50		1900	225	21.83																											
80		1900	225	21.70																											
100		1300	225	21.60																											