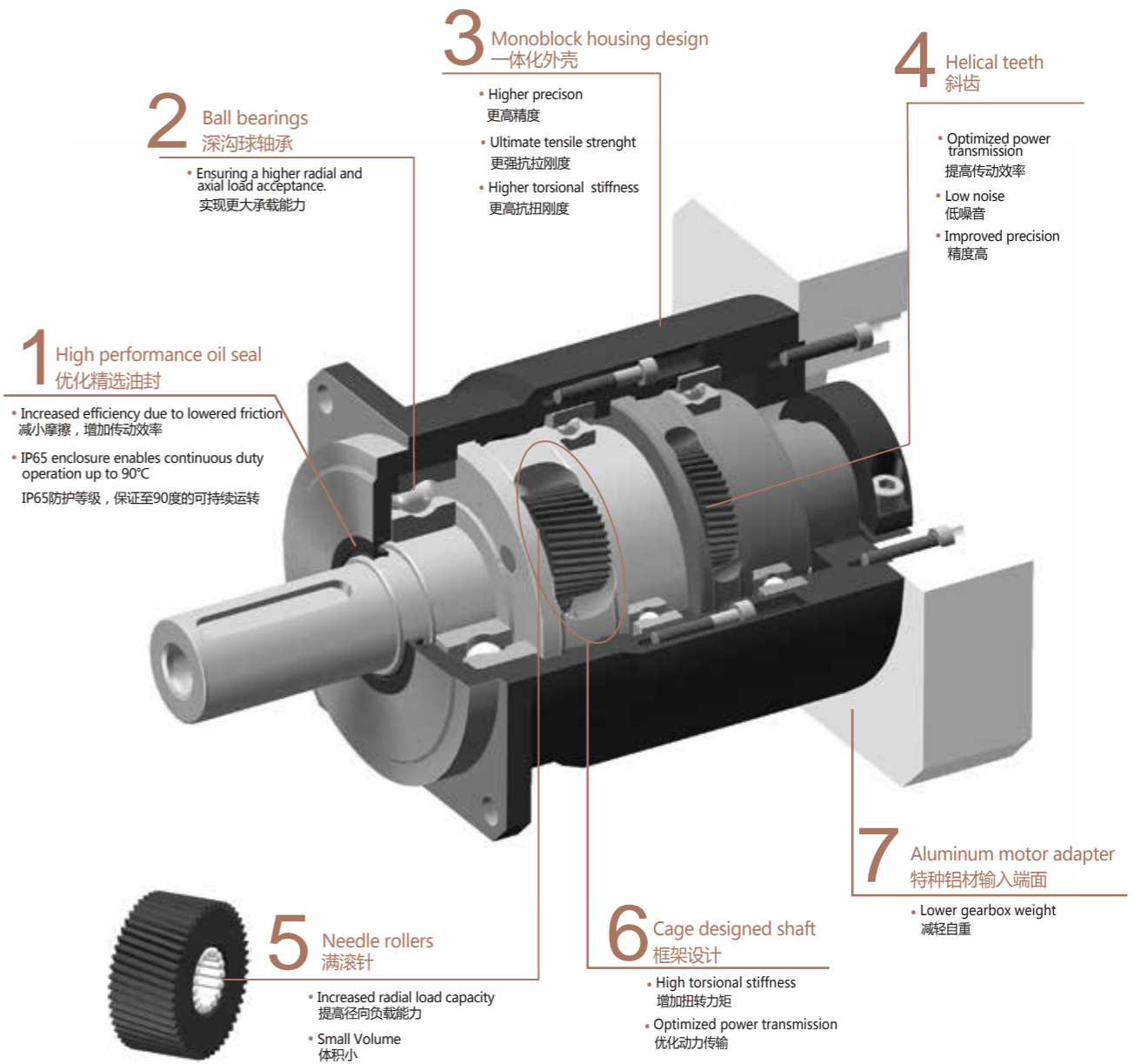




专门为频繁反复和紧急加速而设计，MVB系列可提供高精度、高刚性和高扭矩。

Powerful, robust and precise, this planetary gearbox is designed to work under heavy operating duty.



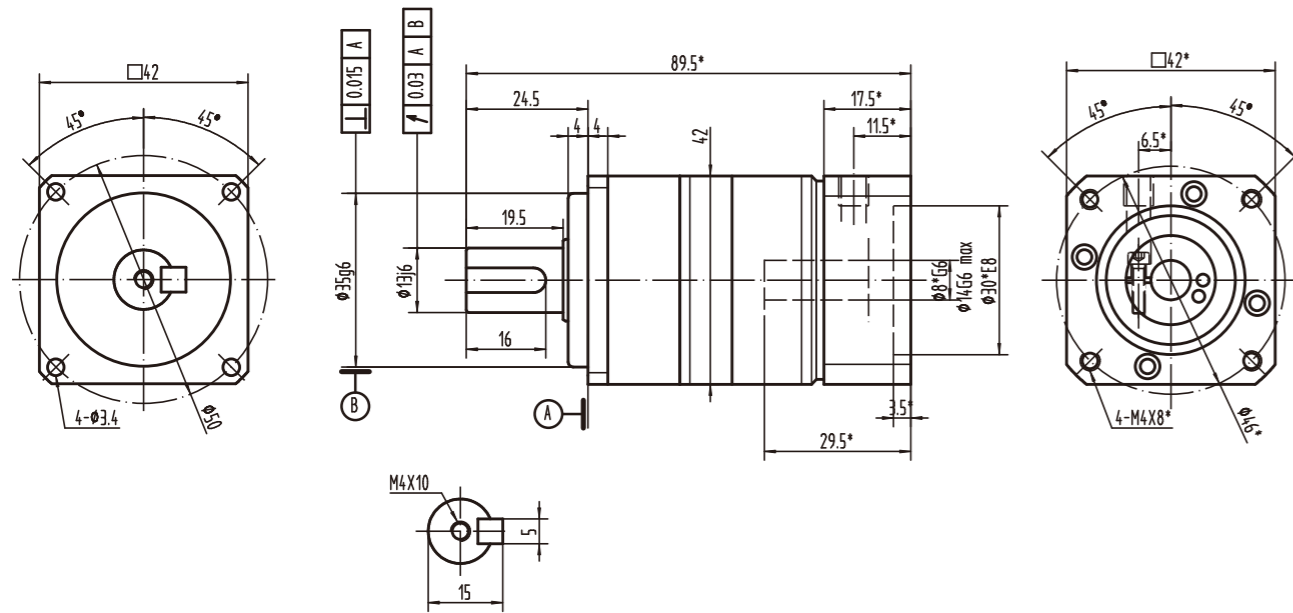
**造型数据:**

**Selection data:**

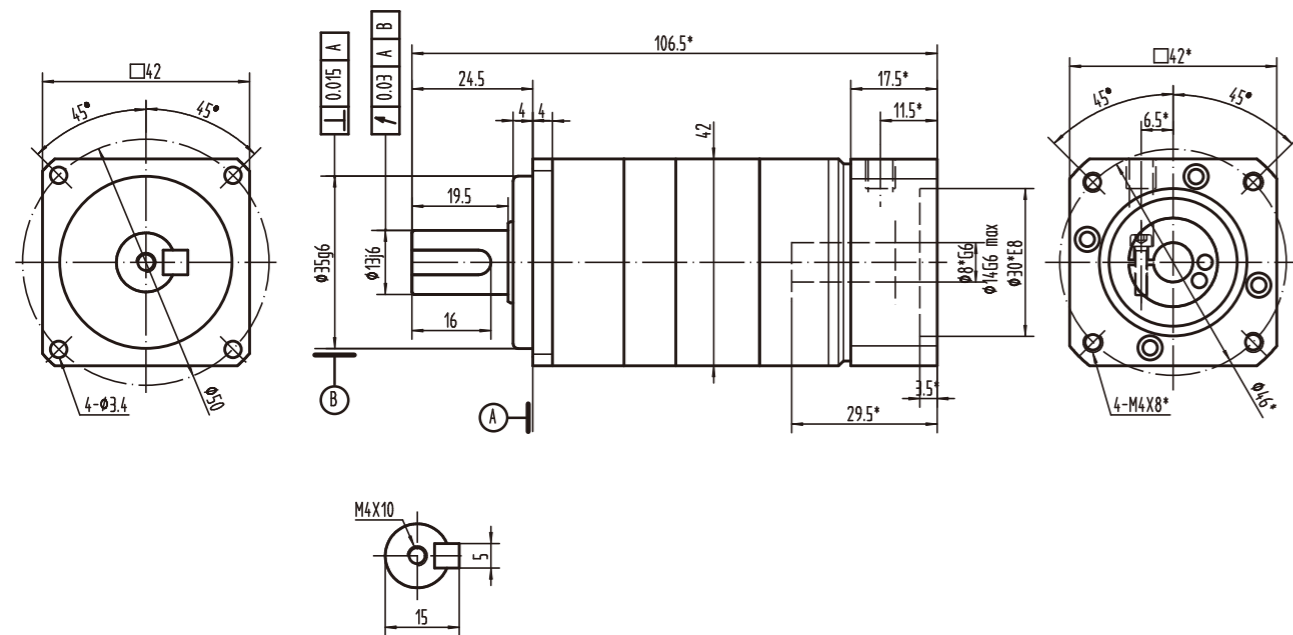
扭矩 ( Nm )	14-1900
速比	3-100
背隙 ( arcmin )	3-5
最大工作温度 ( °C )	90
噪音 ( dB )	63-77

Nominal output torque ( Nm )	14-1900
Reduction ratio	3-100
Backlash ( arcmin )	3-5
Max.working temperature ( °C )	90
Noise ( dB )	63-77

MVB-040-L1

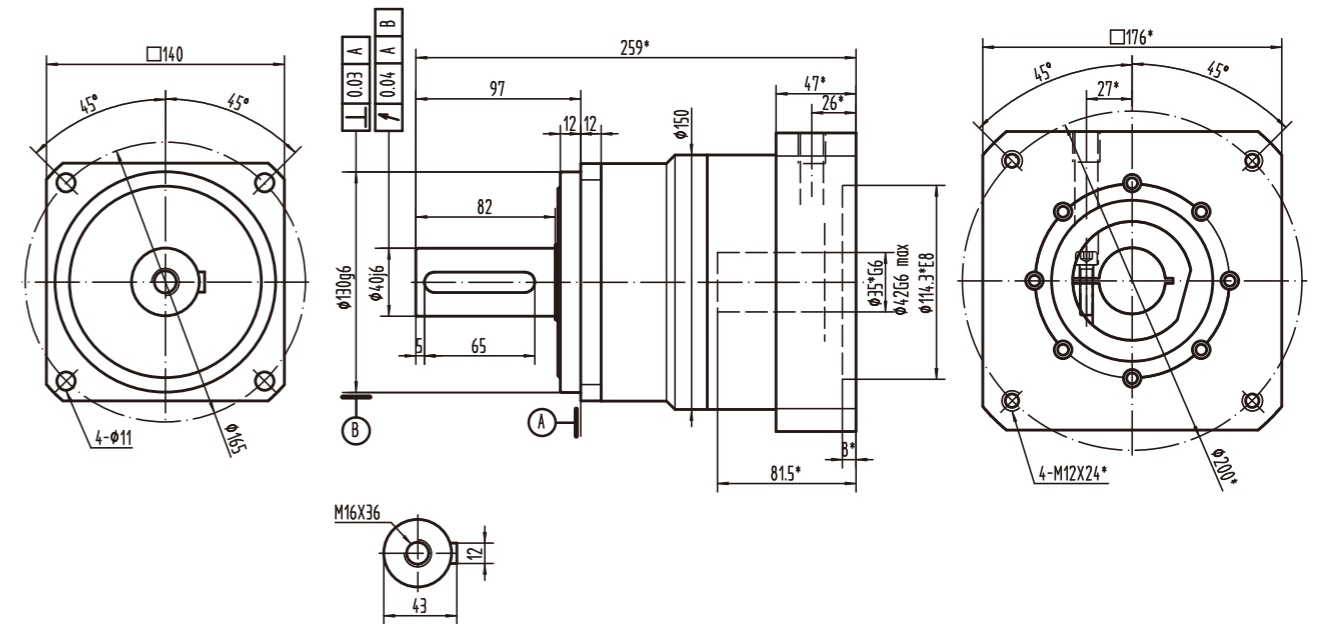


MVB-040-L2

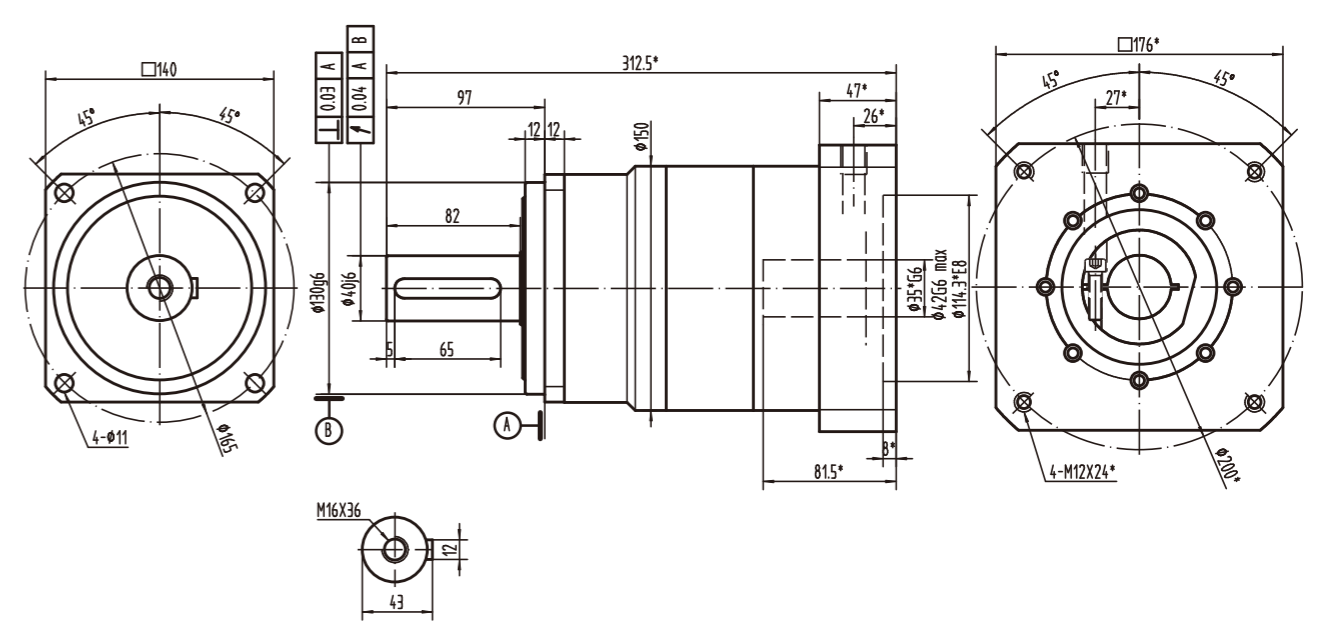


\*Dimensions based on servo-motor, please contact us for custom made order.  
注有 \* 尺寸：代表可根据客户需求定制产品，如有需要，请联系我们！

MVB-140-L1



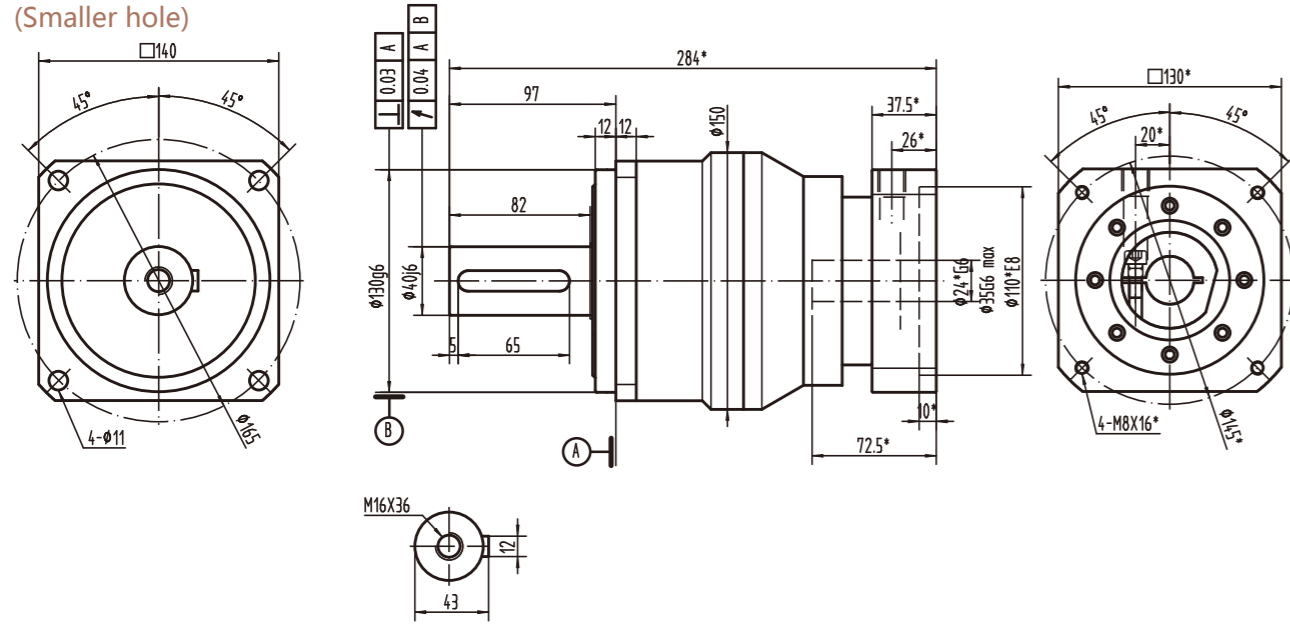
MVB-140-L2



\*Dimensions based on servo-motor, please contact us for custom made order.  
注有 \* 尺寸：代表可根据客户需求定制产品，如有需要，请联系我们！

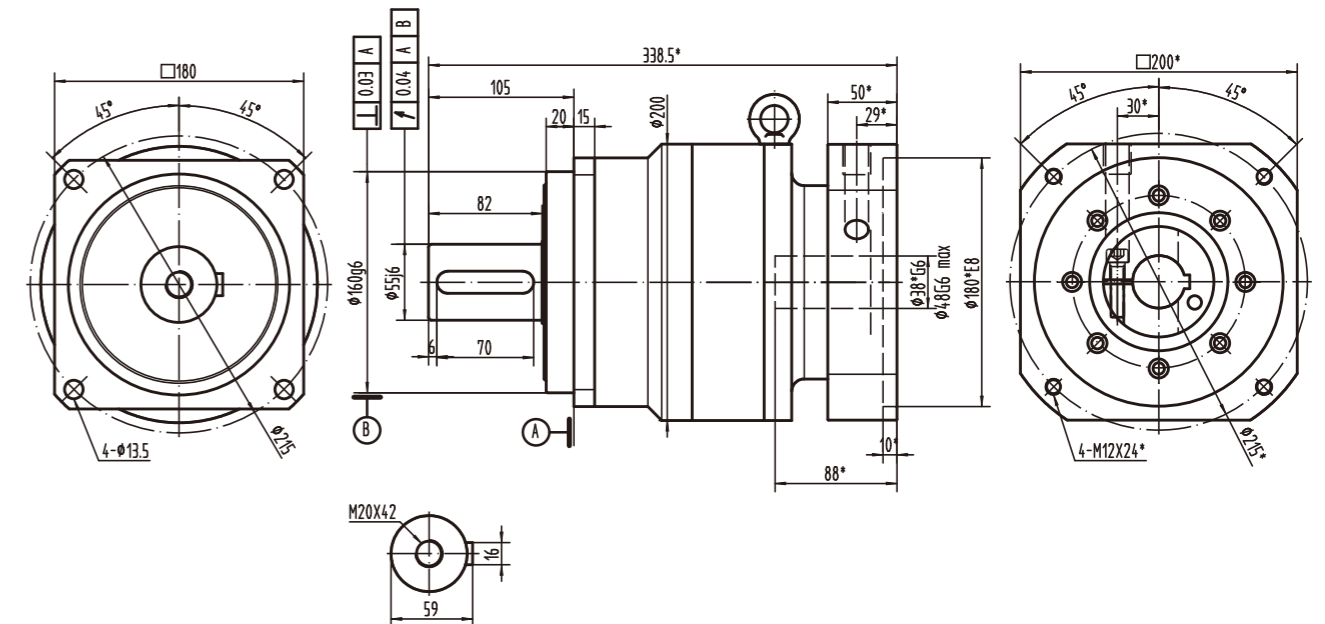
Drawing / Size

MVB-140-L2  
(Smaller hole)

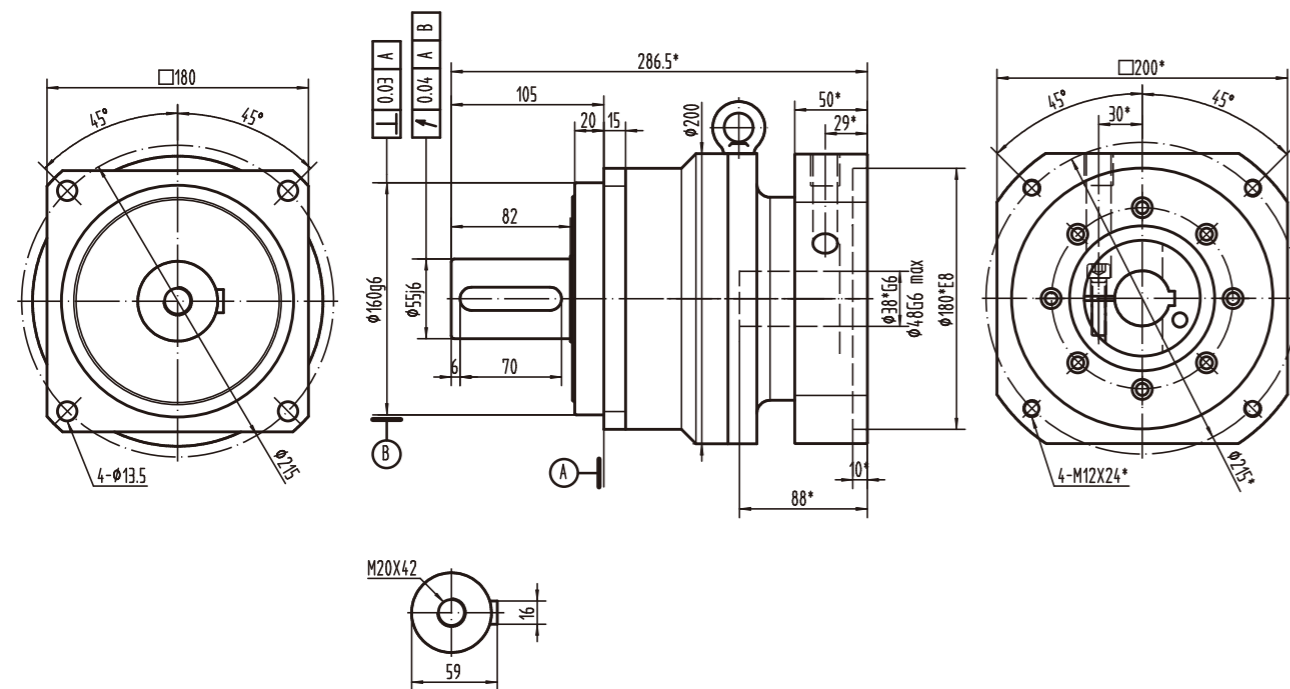


Drawing / Size

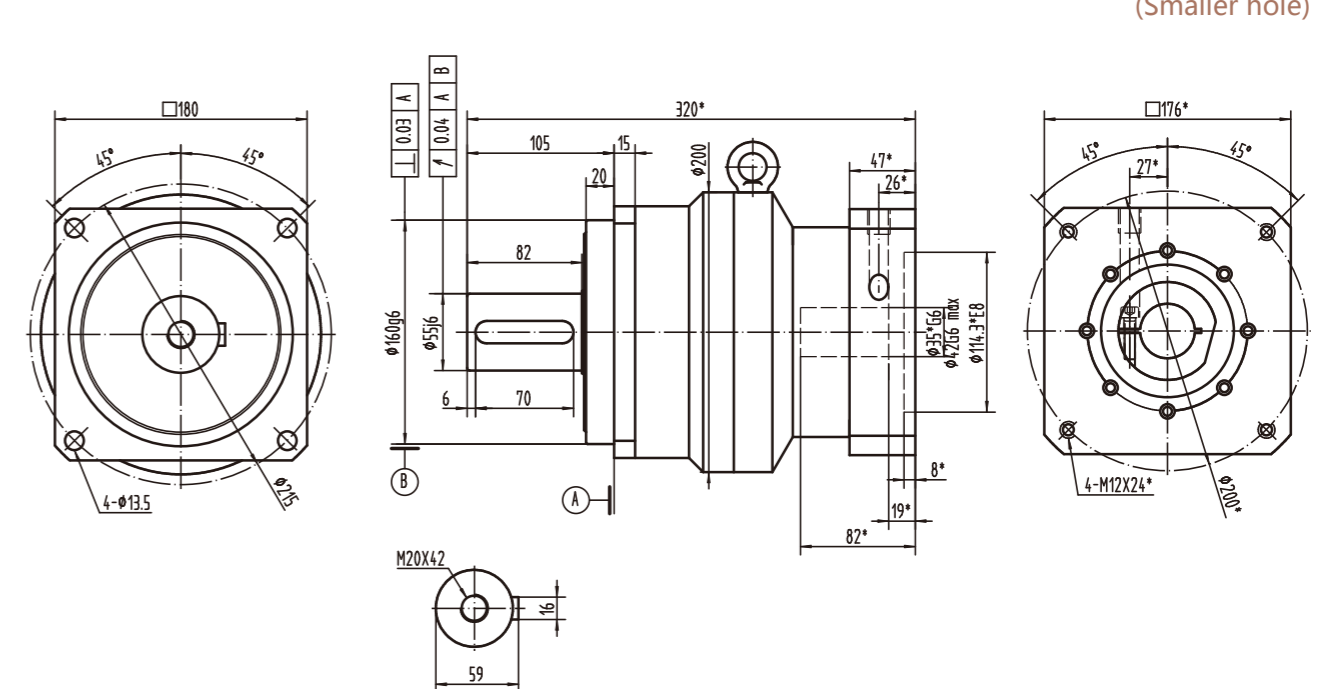
MVB-180-L2



MVB-180-L1



MVB-180-L2  
(Smaller hole)

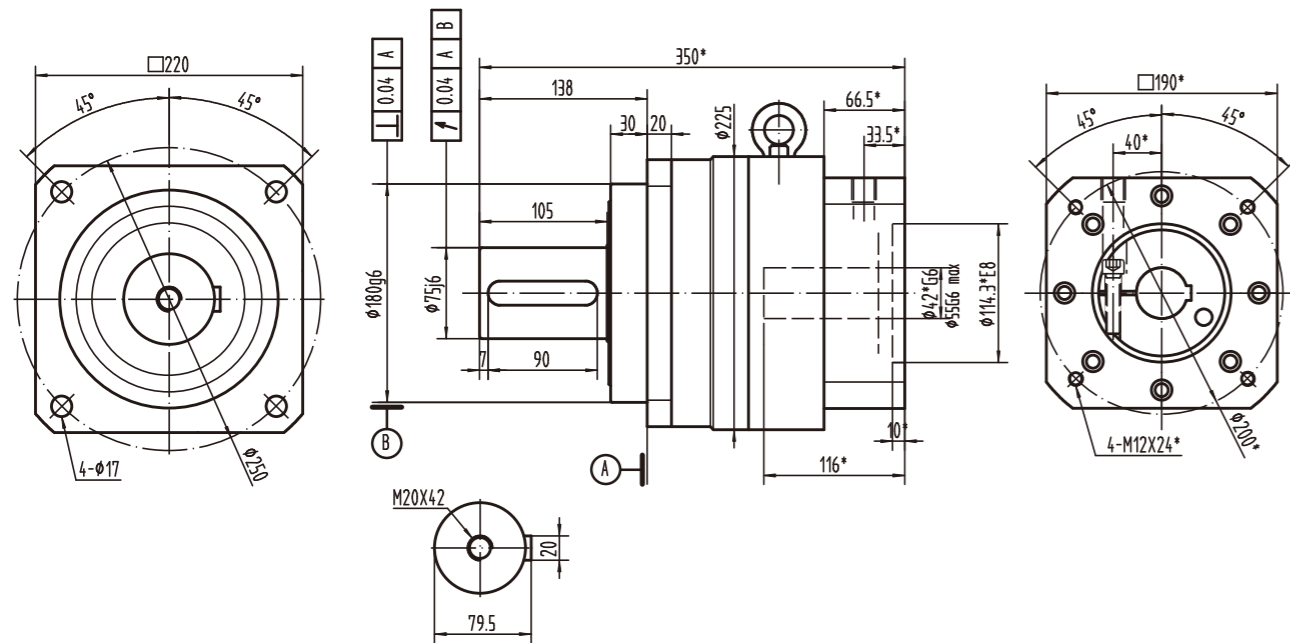


\*Dimensions based on servo-motor, please contact us for custom made order.  
注有 \* 尺寸：代表可根据客户需求定制产品，如有需要，请联系我们！

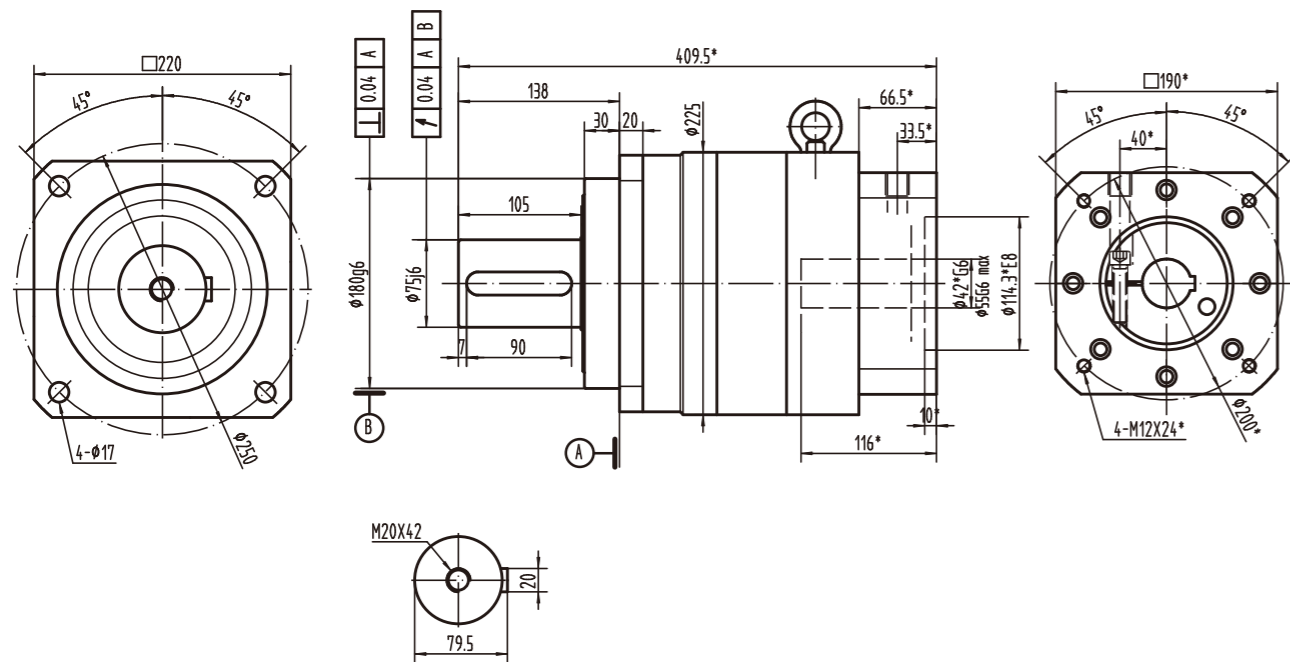
\*Dimensions based on servo-motor, please contact us for custom made order.  
注有 \* 尺寸：代表可根据客户需求定制产品，如有需要，请联系我们！

Drawing / Size

MVB-220-L1



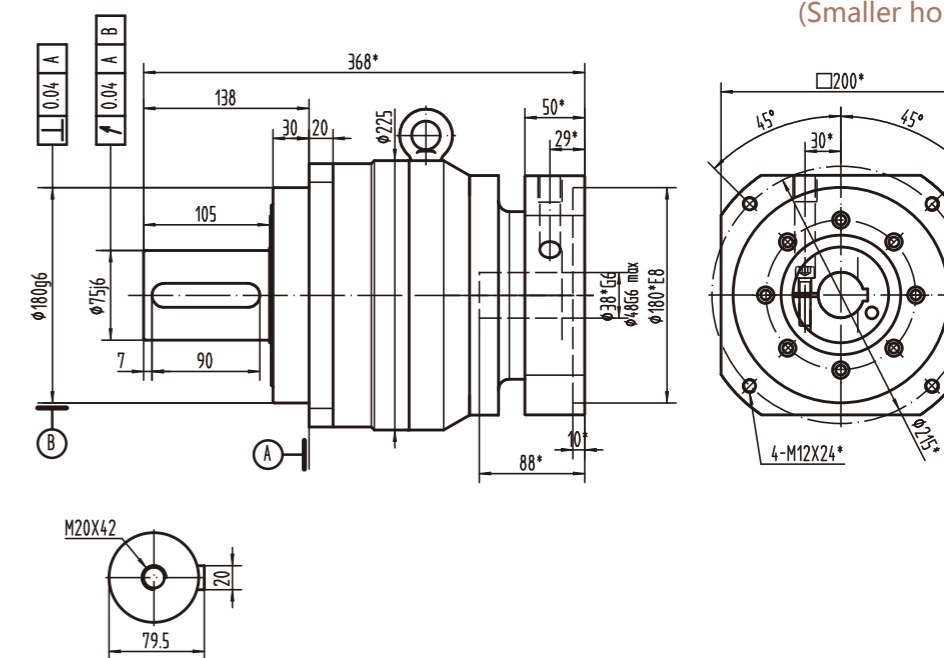
MVB-220-L2



\*Dimensions based on servo-motor, please contact us for custom made order.  
注有 \* 尺寸：代表可根据客户需求定制产品，如有需要，请联系我们！

Drawing / Size

MVB-220-L2  
(Smaller hole)



\*Dimensions based on servo-motor, please contact us for custom made order.  
注有 \* 尺寸：代表可根据客户需求定制产品，如有需要，请联系我们！

Performance table

MVB-040																	
Symb.	i	T <sub>2N</sub>	T <sub>2Not</sub>	n <sub>1N</sub>	n <sub>1Max</sub>	j <sub>t</sub>	C <sub>2t</sub>	F <sub>2RMax</sub>	F <sub>2AMax</sub>	J <sub>1</sub>	η	L <sub>h</sub>	T	Lub	PC	MP	dB
Unit		N <sub>m</sub>	N <sub>m</sub>	rpm	rpm	arcmin	Nm/arcmin	N	N	kgcm <sup>2</sup>	%	h	°C				
I STAGE	3	14	2×T <sub>2N</sub>	4000	8000	≤3	3	700	610	0.03	≥95	>20000	-15~45	Life Lubrication 终身润滑	IP65	Any 任何方向	≤63
	4	14					3										
	5	20					3										
	6	20					3										
	7	20					2.2										
	8	20					3										
	9	14					3										
II STAGE	10	14	2×T <sub>2N</sub>	4000	8000	≤5	2.2	700	610	0.03	≥90	>20000	-15~45	Life Lubrication 终身润滑	IP65	Any 任何方向	≤63
	15	14					3										
	20	14					3										
	35	20					3										
	40	20					3										
	50	20					3										
	80	20					3										
100	14	2.2															

Performance table

MVB-180																		
Symb.	i	T <sub>2N</sub>	T <sub>2Not</sub>	n <sub>1N</sub>	n <sub>1Max</sub>	j <sub>t</sub>	C <sub>2t</sub>	F <sub>2RMax</sub>	F <sub>2AMax</sub>	J <sub>1</sub>	η	L <sub>h</sub>	T	Lub	PC	MP	dB	
Unit		N <sub>m</sub>	N <sub>m</sub>	rpm	rpm	arcmin	Nm/arcmin	N	N	kgcm <sup>2</sup>	%	h	°C					
I STAGE	3	600	2×T <sub>2N</sub>	2000	4000	≤3	145	14500	13500	28.98	≥95	>20000	-15~45	Life Lubrication 终身润滑	IP65	Any 任何方向	≤75	
	4	1000					145											23.67
	5	1000					145											23.29
	6	1000					145											22.29
	7	1000					145											22.48
	8	1000					145											22.48
	9	650					145											22.40
II STAGE	10	650	2×T <sub>2N</sub>	2000	4000	≤5	145	14500	13500	22.51	≥90	>20000	-15~45	Life Lubrication 终身润滑	IP65	Any 任何方向	≤75	
	15	980					145			7.3								
	20	1350					145			7.3								
	35	1400					145			7.1								
	40	1350					145			6.92								
	50	1400					145			6.92								
	80	1400					145			6.72								
100	980	145	6.72															

MVB-140																	
Symb.	i	T <sub>2N</sub>	T <sub>2Not</sub>	n <sub>1N</sub>	n <sub>1Max</sub>	j <sub>t</sub>	C <sub>2t</sub>	F <sub>2RMax</sub>	F <sub>2AMax</sub>	J <sub>1</sub>	η	L <sub>h</sub>	T	Lub	PC	MP	dB
Unit		N <sub>m</sub>	N <sub>m</sub>	rpm	rpm	arcmin	Nm/arcmin	N	N	kgcm <sup>2</sup>	%	h	°C				
I STAGE	3	350	2×T <sub>2N</sub>	3000	6000	≤3	50	9000	8300	9.21	≥95	>20000	-15~45	Life Lubrication 终身润滑	IP65	Any 任何方向	≤72
	4	550					50			7.54							
	5	600					50			7.42							
	6	600					50			7.42							
	7	600					50			7.14							
	8	550					50			7.14							
	9	380					50			7.08							
II STAGE	10	380	2×T <sub>2N</sub>	3000	6000	≤5	50	9000	8300	7.03	≥90	>20000	-15~45	Life Lubrication 终身润滑	IP65	Any 任何方向	≤72
	15	460					50			2.63							
	20	650					50			2.63							
	35	700					50			2.43							
	40	650					50			2.43							
	50	700					50			2.39							
	80	700					50			2.39							
100	460	50	2.39														

MVB-220																	
Symb.	i	T <sub>2N</sub>	T <sub>2Not</sub>	n <sub>1N</sub>	n <sub>1Max</sub>	j <sub>t</sub>	C <sub>2t</sub>	F <sub>2RMax</sub>	F <sub>2AMax</sub>	J <sub>1</sub>	η	L <sub>h</sub>	T	Lub	PC	MP	dB
Unit		N <sub>m</sub>	N <sub>m</sub>	rpm	rpm	arcmin	Nm/arcmin	N	N	kgcm <sup>2</sup>	%	h	°C				
I STAGE	3	1100	2×T <sub>2N</sub>	1500	3000	≤3	225	20500	19000	69.61	≥95	>20000	-15~45	Life Lubrication 终身润滑	IP65	Any 任何方向	≤77
	4	1600					225			54.37							
	5	1800					225			53.27							
	6	1800					225			53.27							
	7	1800					225			50.97							
	8	1800					225			50.88							
	9	1200					225			50.73							
II STAGE	10	1200	2×T <sub>2N</sub>	1500	3000	≤5	225	20500	19000	50.56	≥90	>20000	-15~45	Life Lubrication 终身润滑	IP65	Any 任何方向	≤77
	15	1300					225			22.79							
	20	1800					225			22.79							
	35	1900					225			22.59							
	40	1900					225			21.83							
	50	1900					225			21.83							
	80	1900					225			21.70							
100	1300	225	21.60														